



**Electrolux**  
PROFESSIONAL

## Premium Preparation 1000 mm Work Table

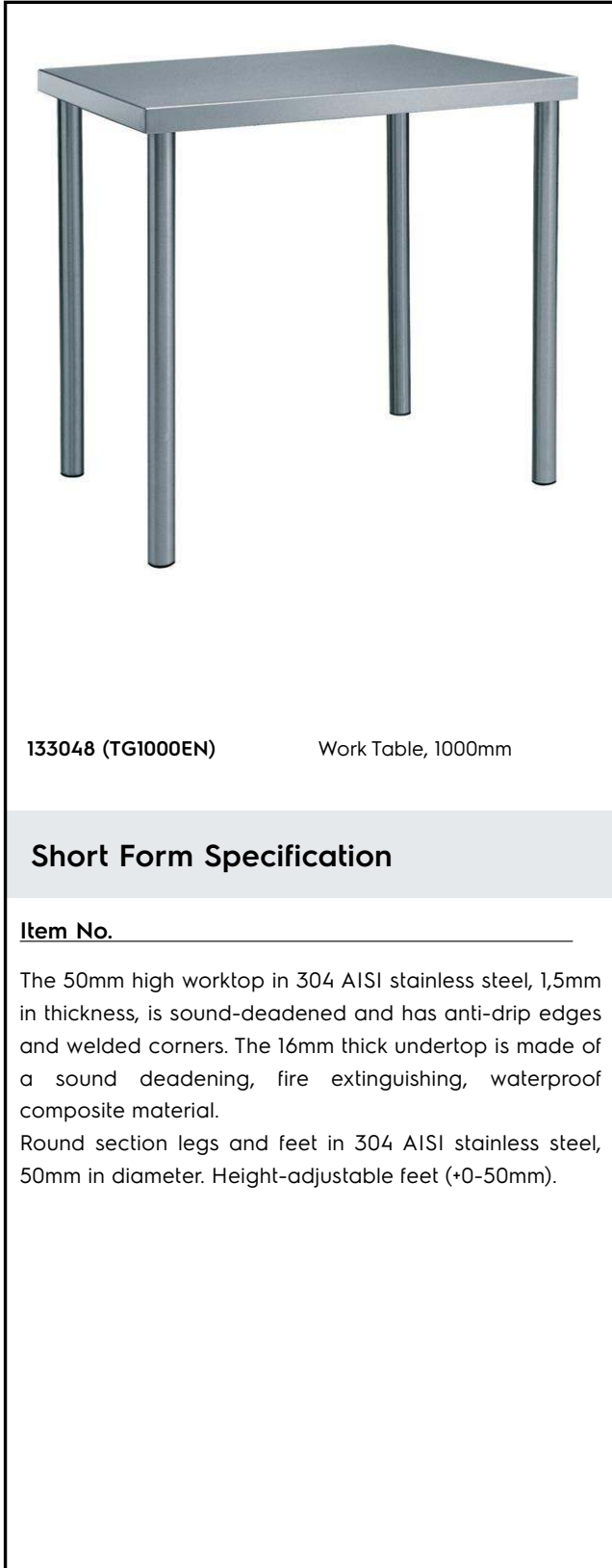
ITEM # \_\_\_\_\_

MODEL # \_\_\_\_\_

NAME # \_\_\_\_\_

SIS # \_\_\_\_\_

AIA # \_\_\_\_\_



133048 (TG1000EN)

Work Table, 1000mm

### Short Form Specification

Item No. \_\_\_\_\_

The 50mm high worktop in 304 AISI stainless steel, 1,5mm in thickness, is sound-deadened and has anti-drip edges and welded corners. The 16mm thick undertop is made of a sound deadening, fire extinguishing, waterproof composite material.

Round section legs and feet in 304 AISI stainless steel, 50mm in diameter. Height-adjustable feet (+0-50mm).

### Main Features

- The table can be ordered with the drawer of 400 mm or 600 mm (optional accessory): thanks to the design of the drawer, additional drawers can be added to the first single drawer to create chest of 2, 3 or 4 drawers based on customer's needs.
- Sturdiness, stability and reliability of table accurately tested.

### Construction

- Worktop with 50 mm high profile, in s/s Scotch Brite finishing, 15/10 in thickness with anti-drip edges and welded corners.
- Round section legs with feet in 304 AISI stainless steel, 50 mm in diameter, adjustable in height by +0/-40 mm.
- Delivered in knock-down package.
- Wide range of taps are available to suit every need.
- 100 mm upstand with 10 mm radiused corner and 13 mm deep, designed to be used against a wall.

### Optional Accessories

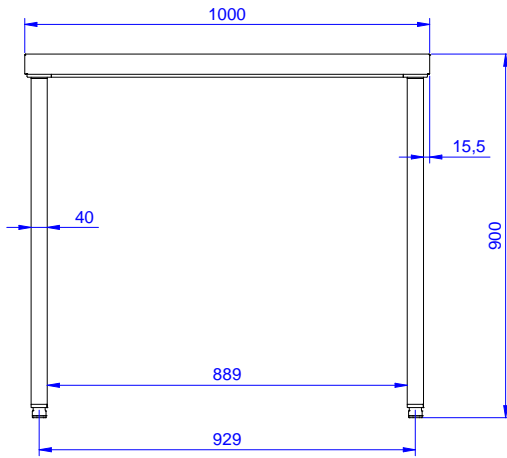
- Single drawer GN 1/1, 400mm PNC 855280
- Single drawer, 600mm PNC 855281
- Lower shelf for 1000mm for PNC 855287   
units
- Set of 4 wheels (2 with brake) PNC 855288   
d. 100mm
- 3-sided underframe for PNC 855289   
1000mm tables
- Additional drawer, 600mm (to PNC 855295   
set up a chest of 2, 3, 4  
drawers)
- Additional drawer GN 1/1, PNC 855298   
400mm (to set up a chest of 2,  
3, 4 drawers)

APPROVAL: \_\_\_\_\_

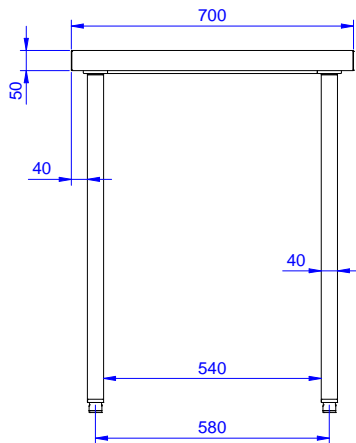


Experience the Excellence  
[www.electroluxprofessional.com](http://www.electroluxprofessional.com)

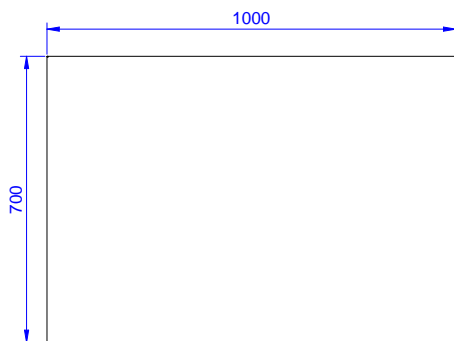
Front



Side



Top


**Key Information:**

External dimensions, Width:	
133048 (TG1000EN)	1000 mm
External dimensions, Depth:	700 mm
External dimensions, Height:	900 mm
Worktop thickness:	50 mm
Net weight:	35 kg
Drawer combinations - No. 400 mm drawers	2
Drawer combinations - No.600 mm drawers	1